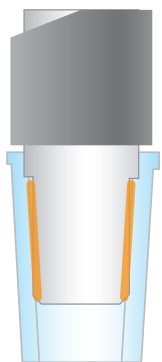
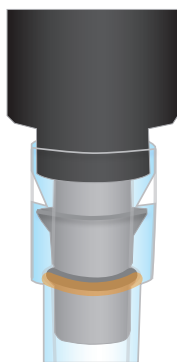


# Thermo Scientific ClipTip Pipette Tips

Thermo Scientific ClipTip pipette tips provide a unique locking tip interface that allows stable, straight mounting on Thermo Scientific F1-ClipTip pipettes. ClipTip® pipette tips feature “clips” that lock tips in place. Simply touch the F1-ClipTip pipette to the ClipTip for a secure seal. The ClipTip pipette tip will only release when ejected using minimal application pressure.



Friction base sealing systems rely on the varying force by individual users.



F1-ClipTip interlock technology that locks tips into place for a complete seal every time.

## Absolute tip attachment.

The ClipTip pipette tips lock into place to create a complete seal until released. Users have full tip control throughout pipetting, as pipette tips will only release when ejected, regardless of application pressure.

## Superior ergonomics.

Simply touch the Thermo Scientific F1-ClipTip pipette to the ClipTip to lock in place.

## Immediate traceability.

Each tip insert has ink-jetted lot and volume information. The convenient color key makes it easy to match the color of the F1-ClipTip pipette plunger cap with the corresponding ClipTip pipette tip rack insert.

## Superior Contamination Control.

The interlocking tip design prevents sample contamination caused from loose, leaking tips that can fall off. Filter tips prevent carry over contamination protecting both the pipette and the sample.

## Low Retention.

Innovative technology creates a hydrophobic inner pipette tip surface to minimize liquid retention, and enable maximum sample recovery. This low retention technology is completely inert and increases accuracy and precision.

## Proven Quality.

Certified free of RNase, DNase, DNA, ATP and Endotoxin.

## Environmental responsibility.

The ClipTip pipette tip reload system incorporates re-usable hinged racks with plastic reload sleeves which which reduces waste by an average of 35%.

## Versatile Tip Range.

Choose from five sizes: 20 µl, 50 µl, 200 µl, 300 µl and 1000 µl.

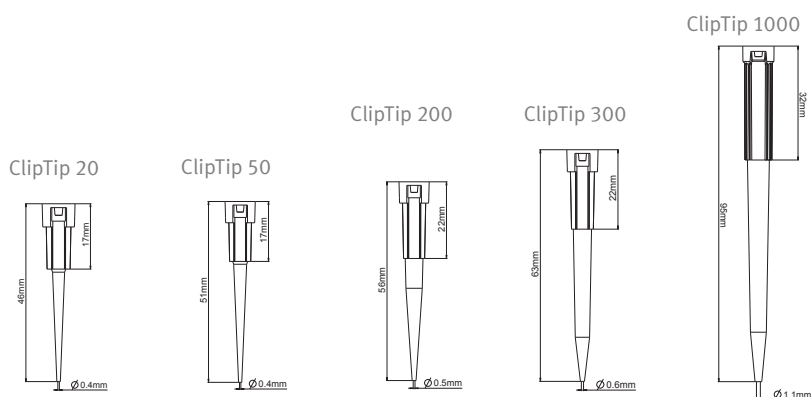


**Thermo**  
SCIENTIFIC

# Thermo Scientific ClipTip Pipette Tips

Item No.	Description	Color Key	Volume Range	Packaging	Compatible F1-ClipTip Pipettes
94-410-210	ClipTip 20	●	1-20 µl	Racked, 96 tips/rack, 10 racks/pack	F1-ClipTip 1-10 µl, Fixed 1-20µl, 8-ch 1-10 µl and 12-ch 1-10 µl
94-410-213	ClipTip 20	●	1-20 µl	Racked, Sterile, 96 tips/rack, 10 racks/pack	F1-ClipTip 1-10 µl, Fixed 1-20µl, 8-ch 1-10 µl and 12-ch 1-10 µl
94-410-217	ClipTip 20	●	1-20 µl	Reload Stacks, 96 tips/insert, 10 inserts	F1-ClipTip 1-10 µl, Fixed 1-20µl, 8-ch 1-10 µl and 12-ch 1-10 µl
94-410-218	ClipTip 20	●	1-20 µl	Reload Stacks, Sterile, 96 tips/insert, 10 inserts/pack	F1-ClipTip 1-10 µl, Fixed 1-20µl, 8-ch 1-10 µl and 12-ch 1-10 µl
94-420-213	ClipTip 20	●	1-20 µl	Racked, Filtered, Sterile, 96 tips/rack, 10 racks/pack	F1-ClipTip 1-10 µl, Fixed 1-20µl, 8-ch 1-10 µl and 12-ch 1-10 µl
94-420-218	ClipTip 20	●	1-20 µl	Reload, Filtered, Sterile, 96 tips/insert, 10 inserts/pack	F1-ClipTip 1-10 µl, Fixed 1-20µl, 8-ch 1-10 µl and 12-ch 1-10 µl
94-410-250	ClipTip 50	●	5-50 µl	Racked, 96 tips/rack, 10 racks/pack	F1-ClipTip 5-50 µl, Fixed 25 µl and 50 µl, 8-ch 5-50 µl and 12-ch 5-50 µl
94-410-253	ClipTip 50	●	5-50 µl	Racked, Sterile, 96 tips/rack, 10 racks/pack	F1-ClipTip 5-50 µl, Fixed 25 µl and 50 µl, 8-ch 5-50 µl and 12-ch 5-50 µl
94-410-257	ClipTip 50	●	5-50 µl	Reload Stacks, 96 tips/insert, 10 inserts	F1-ClipTip 5-50 µl, Fixed 25 µl and 50 µl, 8-ch 5-50 µl and 12-ch 5-50 µl
94-410-258	ClipTip 50	●	5-50 µl	Reload Stacks, Sterile, 96 tips/insert, 10 inserts	F1-ClipTip 5-50 µl, Fixed 25 µl and 50 µl, 8-ch 5-50 µl and 12-ch 5-50 µl
94-420-253	ClipTip 50	●	5-50 µl	Racked, Filtered, Sterile, 96 tips/rack, 10 racks/pack	F1-ClipTip 5-50 µl, Fixed 25 µl and 50 µl, 8-ch 5-50 µl and 12-ch 5-50 µl
94-420-258	ClipTip 50	●	5-50 µl	Reload, Filtered, Sterile, 96 tips/insert, 10 inserts/pack	F1-ClipTip 5-50 µl, Fixed 25 µl and 50 µl, 8-ch 5-50 µl and 12-ch 5-50 µl
94-410-310	ClipTip 200	●	10-200 µl	Racked, 96 tips/rack, 10 racks/pack	F1-ClipTip 10-100 µl, 20-200 µl, Fixed 100µl and 200 µl, 8-ch 10-100 µl and 12-ch 10-100 µl
94-410-313	ClipTip 200	●	10-200 µl	Racked, Sterile, 96 tips/rack, 10 racks/pack	F1-ClipTip 10-100 µl, 20-200 µl, Fixed 100µl and 200 µl, 8-ch 10-100 µl and 12-ch 10-100 µl
94-410-317	ClipTip 200	●	10-200 µl	Reload Stacks, 96 tips/insert, 10 inserts	F1-ClipTip 10-100 µl, 20-200 µl, Fixed 100µl and 200 µl, 8-ch 10-100 µl and 12-ch 10-100 µl
94-410-318	ClipTip 200	●	10-200 µl	Reload Stacks, Sterile, 96 tips/insert, 10 inserts	F1-ClipTip 10-100 µl, 20-200 µl, Fixed 100µl and 200 µl, 8-ch 10-100 µl and 12-ch 10-100 µl
94-420-313	ClipTip 200	●	10-200 µl	Racked, Filtered, Sterile, 96 tips/rack, 10 racks/pack	F1-ClipTip 10-100 µl, 20-200 µl, Fixed 100µl and 200 µl, 8-ch 10-100 µl and 12-ch 10-100 µl
94-420-318	ClipTip 200	●	10-200 µl	Reload, Filtered, Sterile, 96 tips/insert, 10 inserts/pack	F1-ClipTip 10-100 µl, 20-200 µl, Fixed 100µl and 200 µl, 8-ch 10-100 µl and 12-ch 10-100 µl
94-410-510	ClipTip 300	●	30-300 µl	Racked, 96 tips/rack, 10 racks/pack	F1-ClipTip 30-300 µl, Fixed 250 µl, 8-ch 30-300 µl and 12-ch 30-300 µl
94-410-513	ClipTip 300	●	30-300 µl	Racked, Sterile, 96 tips/rack, 10 racks/pack	F1-ClipTip 30-300 µl, Fixed 250 µl, 8-ch 30-300 µl and 12-ch 30-300 µl
94-410-517	ClipTip 300	●	30-300 µl	Reload Stacks, 96 tips/insert, 10 inserts	F1-ClipTip 30-300 µl, Fixed 250 µl, 8-ch 30-300 µl and 12-ch 30-300 µl
94-410-518	ClipTip 300	●	30-300 µl	Reload Stacks, sterile, 96 tips/insert, 10 inserts	F1-ClipTip 30-300 µl, Fixed 250 µl, 8-ch 30-300 µl and 12-ch 30-300 µl
94-420-513	ClipTip 300	●	30-300 µl	Racked, Filtered, Sterile, 96 tips/rack, 10 racks/pack	F1-ClipTip 30-300 µl, Fixed 250 µl, 8-ch 30-300 µl and 12-ch 30-300 µl
94-420-518	ClipTip 300	●	30-300 µl	Reload, Filtered, Sterile, 96 tips/insert, 10 inserts/pack	F1-ClipTip 30-300 µl, Fixed 250 µl, 8-ch 30-300 µl and 12-ch 30-300 µl
94-410-710	ClipTip 1000	●	100-1000 µl	Racked, 96 tips/rack, 8 racks/pack	F1-ClipTip 100-1000 µl, Fixed 500 µl and Fixed 1000 µl
94-410-713	ClipTip 1000	●	100-1000 µl	Racked, Sterile, 96 tips/rack, 8 racks/pack	F1-ClipTip 100-1000 µl, Fixed 500 µl and Fixed 1000 µl
94-410-717	ClipTip 1000	●	100-1000 µl	Reload Stacks, 96 tips/insert, 8 inserts	F1-ClipTip 100-1000 µl, Fixed 500 µl and Fixed 1000 µl
94-410-718	ClipTip 1000	●	100-1000 µl	Reload Stacks, sterile, 96 tips/insert, 8 inserts	F1-ClipTip 100-1000 µl, Fixed 500 µl and Fixed 1000 µl
94-420-713	ClipTip 1000	●	100-1000 µl	Racked, Filtered, Sterile, 96 tips/rack, 8 racks/pack	F1-ClipTip 100-1000 µl, Fixed 500 µl and Fixed 1000 µl
94-420-718	ClipTip 1000	●	100-1000 µl	Reload, Filtered, Sterile, 96 tips/insert, 8 inserts/pack	F1-ClipTip 100-1000 µl, Fixed 500 µl and Fixed 1000 µl
94-410-219	Empty Rack, Small	● ●	N/A	10 racks, no tips/inserts	
94-410-519	Empty Rack, Medium	● ●	N/A	10 racks, no tips/inserts	
94-410-819	Empty Rack, Large	●	N/A	10 racks, no tips/inserts	

Item No.	Overall Tip Length	Tip Shoulder (Proximal)	Inner Orifice Diameter (Distal)
ClipTip 20	46 mm	17 mm	0.4 mm
ClipTip 50	51 mm	17 mm	0.4 mm
ClipTip 200	56 mm	22 mm	0.5 mm
ClipTip 300	63 mm	22 mm	0.6 mm
ClipTip 1000	95 mm	32 mm	1.1 mm



[thermoscientific.com/cliptip](http://thermoscientific.com/cliptip)

© 2012 Thermo Fisher Scientific Inc. All rights reserved. All trademarks are the property of Thermo Fisher Scientific Inc. and its subsidiaries. Specifications, terms and pricing are subject to change. Not all products are available in all countries. Please consult your local sales representative for details.

**North America:**  
**USA/Canada** +1 800 522 7763  
**USA toll free** 800 345 0206  
**Europe:**  
**Austria** +43 1 801 40 0  
**Belgium** +32 2 482 30 30  
**Finland/Nordic** +358 9 329 100  
**France** + 33 2 2803 2000

**Germany national toll free** 08001-536 376  
**Germany international** +49 6184 90 6940  
**Italy** +39 02 95059 1  
**Netherlands** +31 76 571 4440  
**Russia/CIS** +7 (812) 703 42 15  
**Spain/Portugal** +34 93 223 09 18  
**Switzerland** +41 44 454 12 12  
**UK/Ireland** +44 870 609 9203

**Asia:**  
**Australia** +613 9757 4474  
**China** +86 21 6865 4588 or +86 10 8419 3588  
**India** +91 22 5542 9494  
**Japan** +81 45 453 9220  
**Other Asian countries** +852 2885 4613  
**Countries not listed:**  
 +49 6184 90 6940 or +33 2 2803 2000

**Thermo**  
 SCIENTIFIC  
 Part of Thermo Fisher Scientific